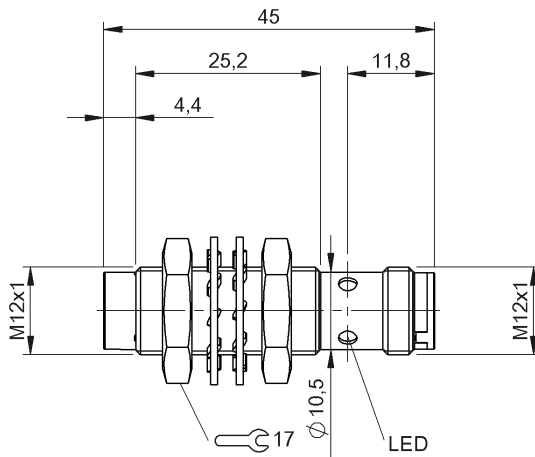


Inductive Sensors  
**BES M12MC1-PSC10F-S04G**  
 Order Code: **BES02WK**

**BALLUFF**



**Basic features**

Approval/Conformity	CE cULus WEEE
Basic standard	IEC 60947-5-2

**Display/Operation**

Function indicator	yes
Power indicator	no

**Electrical connection**

Connection	M12x1-Male, 3-pin, A-coded
Polarity reversal protected	yes
Protection against device mix-ups	yes
Short-circuit protection	yes

**Electrical data**

Load capacitance max. at $U_e$	1.5 $\mu$ F
Min. operating current $I_m$	0 mA
No-load current $I_o$ max., damped	11 mA
No-load current $I_o$ max., undamped	7 mA
Operating voltage $U_b$	10...30 VDC
Output resistance $R_a$	47.0 kOhm
Protection class	II
Rated insulation voltage $U_i$	250 V AC
Rated operating current $I_e$	200 mA
Rated operating voltage $U_e$ DC	24 V
Rated short circuit current	100 A
Ready delay $t_v$ max.	35 ms
Residual current $I_r$ max.	100 $\mu$ A
Ripple max. (% of $U_e$ )	15 %
Switching frequency	600 Hz
Utilization category	DC -13
Voltage drop static max.	1.3 V

**Environmental conditions**

Ambient temperature	-25...85 °C
Contamination scale	3
EN 60068-2-27, Shock	Half-sinus, 30 g <sub>n</sub> , 11 ms
EN 60068-2-6, Vibration	55 Hz, amplitude 1 mm, 3x30 min
IP rating	IP68, according to BWN Pr 20

**Functional safety**

MTTF (40 °C)	625 a
--------------	-------

**Interface**

Switching output	PNP normally open (NO)
------------------	------------------------

Inductive Sensors  
**BES M12MC1-PSC10F-S04G**  
**Order Code: BES02WK**



**Material**

Housing material	Brass, Nickel-free coated
Material sensing surface	PBT

**Mechanical data**

Dimension	Ø 12 x 45 mm
Installation	non-flush
Size	M12x1
Tightening torque	10 Nm

**Range/Distance**

Assured operating distance Sa	8 mm
Hysteresis H max. (% of Sr)	15.0 %
Rated operating distance Sn	10 mm
Real switching distance sr	10 mm
Repeat accuracy max. (% of Sr)	5.0 %
Switching distance marking	■■■
Temperature drift max. (% of Sr)	10 %
Tolerance Sr	±10 %

**Remarks**

The sensor is functional again after the overload has been eliminated.  
 For more information about MTTF and B10d see MTTF / B10d Certificate

Indication of the MTTF- / B10d value does not represent a binding composition and/or life expectancy assurance; these are simply experiential values with no warranty implications. These declared values also do not extend the expiration period for defect claims or affect it in any way.

**Connector Drawings**



**Wiring Diagrams**

